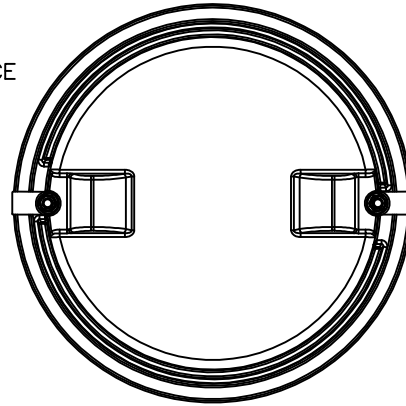
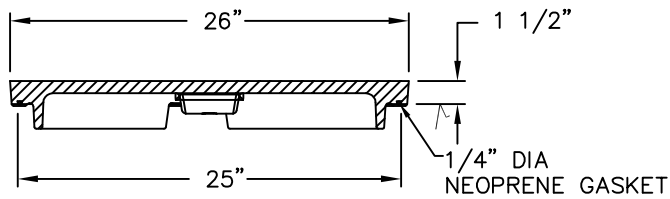


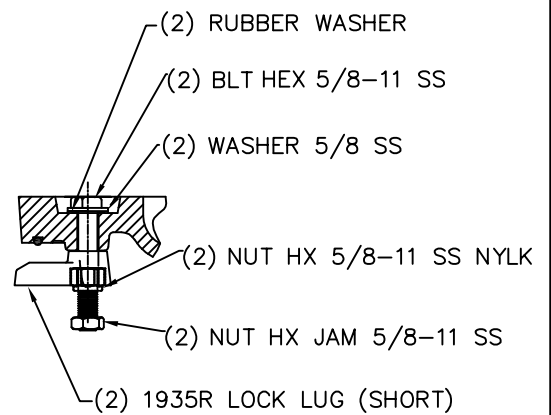
PLAN VIEW



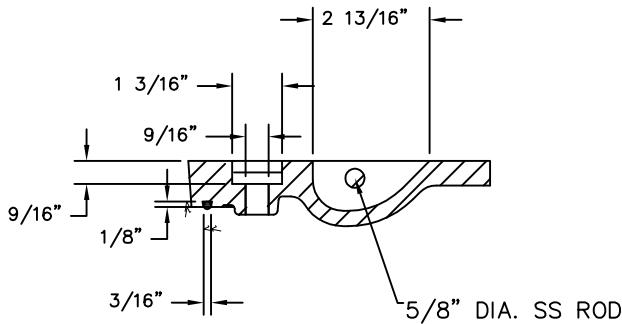
BOTTOM VIEW



SECTION VIEW

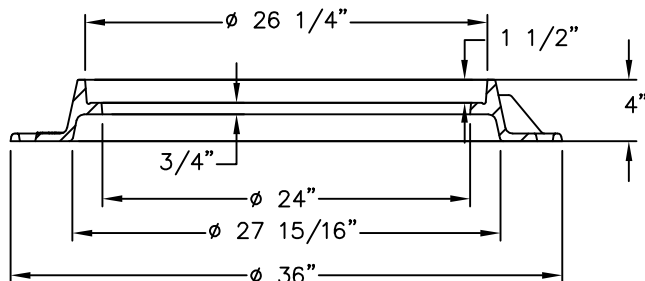


LOCK LUG ASSEMBLY

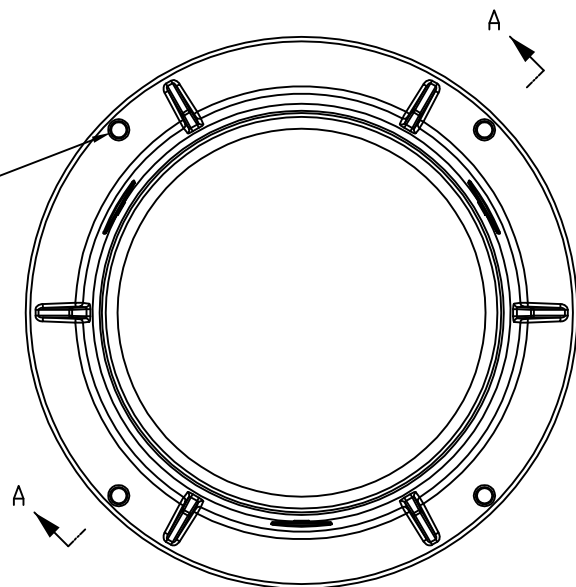


PICKBAR & LOCKLUG HOLE DETAIL

(4) 1" HOLES EQUALLY SPACED ON A ϕ 33 3/4" BOLT CIRCLE



SECTION A-A



SANITARY SEWER
MANHOLE WATERTIGHT
FRAME AND COVER

DATE: 14 MAY 2019

SCALE: N.T.S.

DETAIL NO.

FC-4



ENGINEERING
DEPARTMENT
100 EAST MAIN STREET
CHRISTIANSBURG, VA 24073
(540) 382-6120 PHONE
(540) 381-7238 FAX
engineering@christiansburg.org