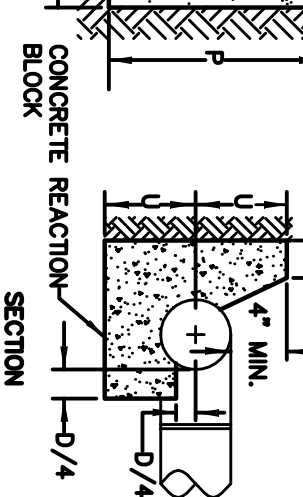
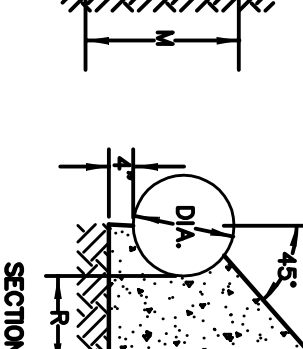
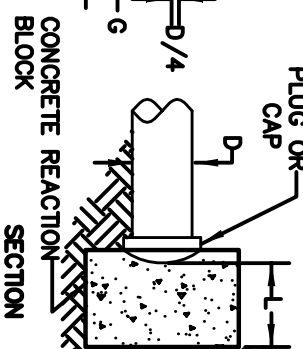
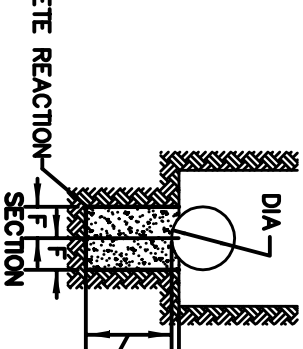
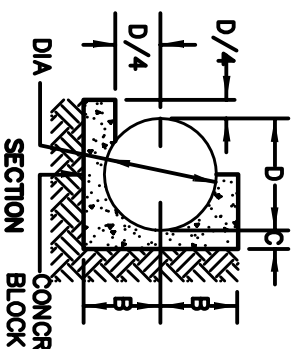
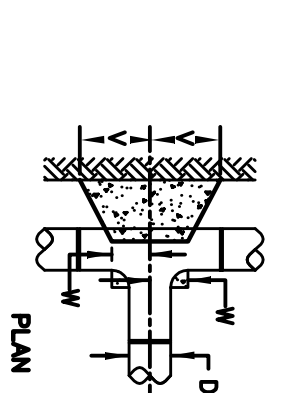
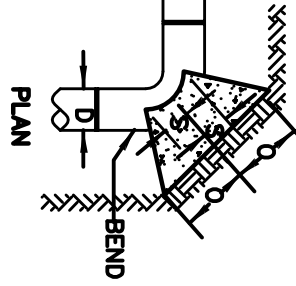
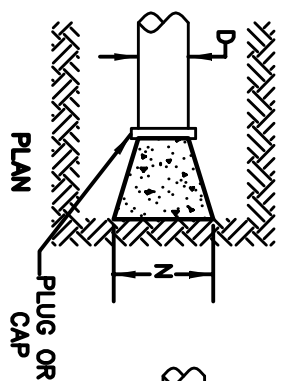
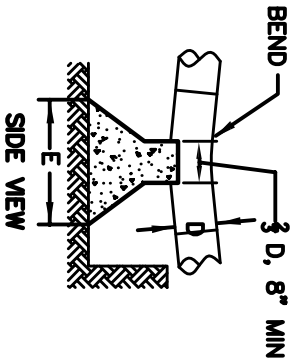
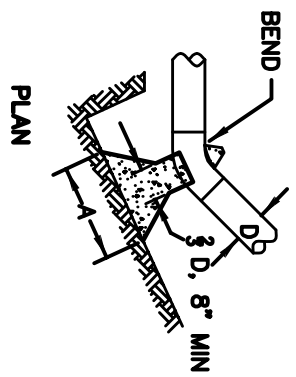


NOTES:
 ALL CONCRETE SHALL BE VDOT CLASS A-3 AND SHALL BE POURED AGAINST UNDISTURBED EARTH
 PAINT ALL EXPOSED STEEL WITH 2 COATS OF WATERPROOF BITUMASTIC COMPOUND



HORIZONTAL BENDS
 11 1/4° - 45°

UPPER VERTICAL BENDS

PLUGS

HORIZONTAL BENDS
 90°

TEES

DIA	HORIZONTAL BENDS						UPPER VERTICAL BENDS						PLUGS						HORIZ. BENDS						TEE					
	11 1/4°		22 1/2°		45°		11 1/4°		22 1/2°		45°		11 1/4°		22 1/2°		45°		90°		90°		90°		90°		90°			
	A	B	C	A	B	C	A	B	C	E	F	G	E	F	G	E	F	G	L	M	N	O	P	R	S	T	U	V	W	
4"	.50	.58	.75	.75	.58	.75	1.25	.58	.75	.50	.58	.58	.75	.58	.58	.50	.58	.58	1.17	1.50	1.17	1.17	1.67	1.67	.42	.75	.67	.75	.50	
6"	.50	.58	.75	.75	.58	.75	1.25	.58	.75	.50	.58	.58	.75	.58	.58	.50	.58	.58	1.17	1.50	1.17	1.17	1.67	1.67	.42	.75	.67	.75	.50	
8"	.67	.67	.75	1.00	.67	.75	2.00	.67	.75	.67	.58	1.00	.67	.67	.67	.67	.67	.67	1.50	2.25	1.58	1.50	1.75	1.50	.50	.75	.83	1.00	.67	
10"	.83	.75	.75	1.50	.75	.83	2.50	.75	.92	.83	.75	.67	1.50	.83	.67	.67	.67	.67	2.00	2.50	1.67	2.08	1.75	.50	.83	1.00	1.25	.67		
12"	1.00	.83	.75	1.75	.92	.92	2.92	.92	1.17	1.00	.83	.67	1.75	.83	.67	.67	.67	.67	2.33	3.25	2.00	2.08	1.92	.58	1.00	1.25	1.42	.67		
16"	1.33	1.00	.75	2.33	1.00	1.17	3.67	1.25	1.42	1.33	1.00	.75	2.25	.83	.75	.33	.33	.33	2.92	4.17	2.08	3.00	2.17	.83	1.17	1.67	1.83	.83		
20"	1.67	1.17	1.00	3.17	1.17	1.33	4.75	1.50	1.83	1.67	1.17	.83	3.00	1.17	1.00	4.17	1.50	1.50	3.75	5.17	3.50	3.83	2.83	1.00	1.33	2.08	2.25	1.17		
24"	2.00	1.33	1.00	4.00	1.33	1.50	6.08	1.67	1.92	2.00	1.33	1.00	3.50	1.33	1.00	5.00	1.75	1.75	4.33	6.25	4.67	4.00	3.00	1.00	1.50	2.50	2.67	1.33		
30"	2.50	1.50	1.08	5.00	1.58	1.75	7.95	2.00	3.08	2.50	1.58	1.08	4.17	1.58	1.08	6.25	2.25	2.25	5.42	7.42	5.75	5.00	3.83	1.17	1.75	3.08	3.92	1.83		
36"	3.00	1.92	1.17	5.75	2.00	2.00	8.92	2.50	3.33	3.00	1.58	1.17	5.33	2.00	1.17	7.50	2.50	2.67	6.50	9.00	6.83	6.00	4.83	1.17	2.00	3.92	1.83			



ENGINEERING
 DEPARTMENT
 CHRISTIANSBURG, VA 24073
 (540) 382-6120 PHONE
 (540) 381-7238 FAX
 engineering@christiansburgva.gov

REACTION BLOCKING
 WATER AND SANITARY SEWER
 FORCE MAIN FACILITIES

DATE: 11 AUG 2014
 SCALE: N.T.S.
 DETAIL NO. CA-1